

New

# BF-65SP-D31B

## Plc Blocking filters-single phase 65A

PLC COMPONENTS / BLOCKING FILTERS

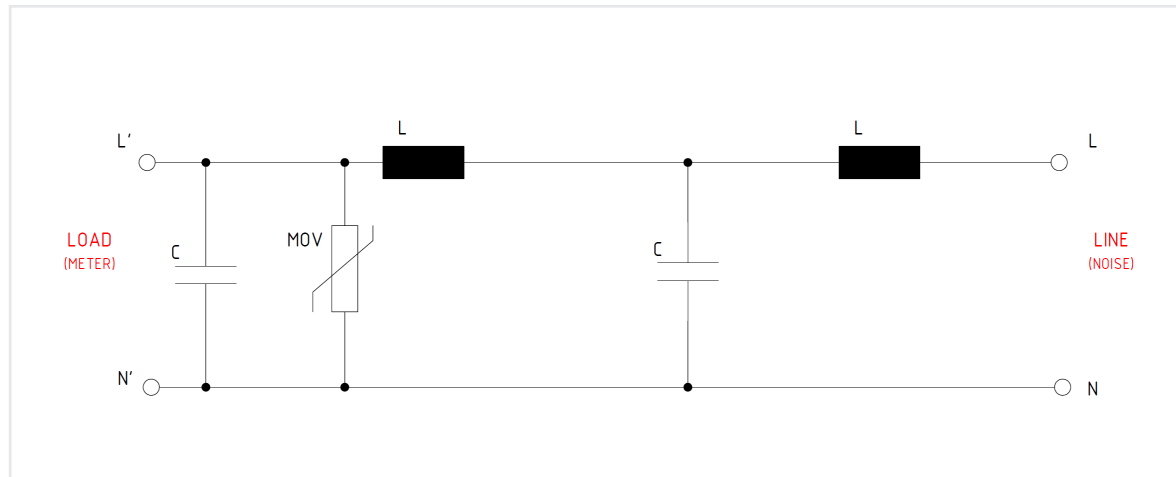


### FEATURES

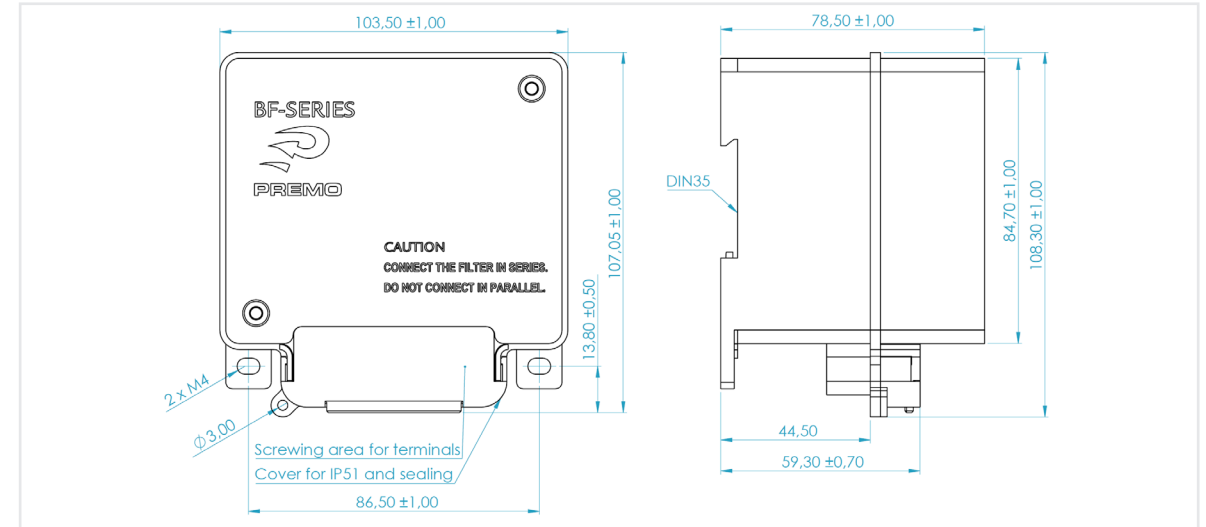


- › Specially designed for Smart meters which comply with PLC G3 , PRIME & CENELEC Band A technology.
- › Designed to meet according to EN 50065-1 regulations.
- › Safe terminal with double screws connection.
- › Good attenuation level without GROUND/PE system.
- › Do not support the reconnection mechanism at the smart meter.

### 01 ELECTRICAL DIAGRAM



### 02 DIMENSIONS



### 03 INSERTION LOSS

