

New

# BF-80S-3PHN

Plc Blocking filters three phase 80A

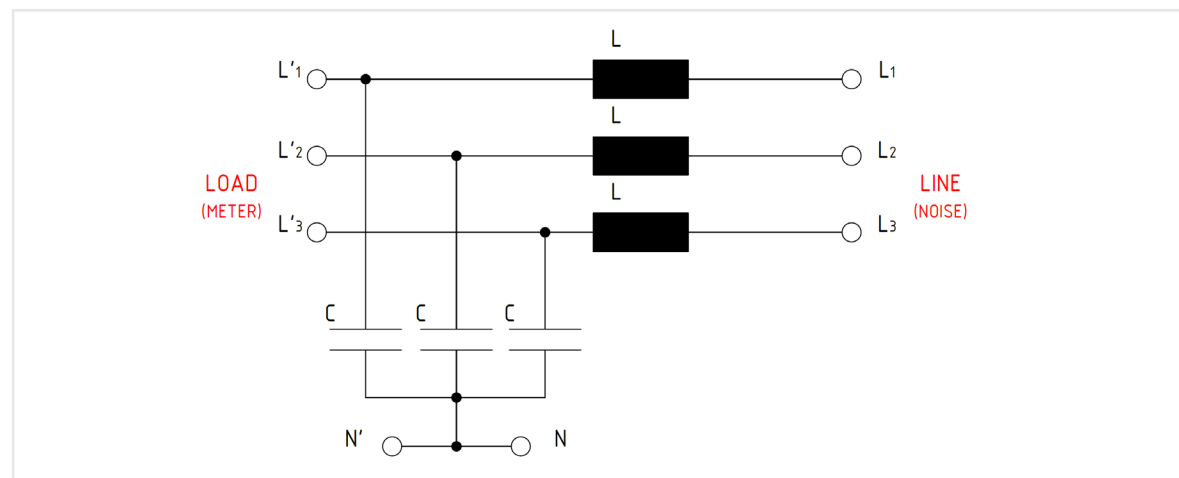
PLC COMPONENTS / BLOCKING FILTERS



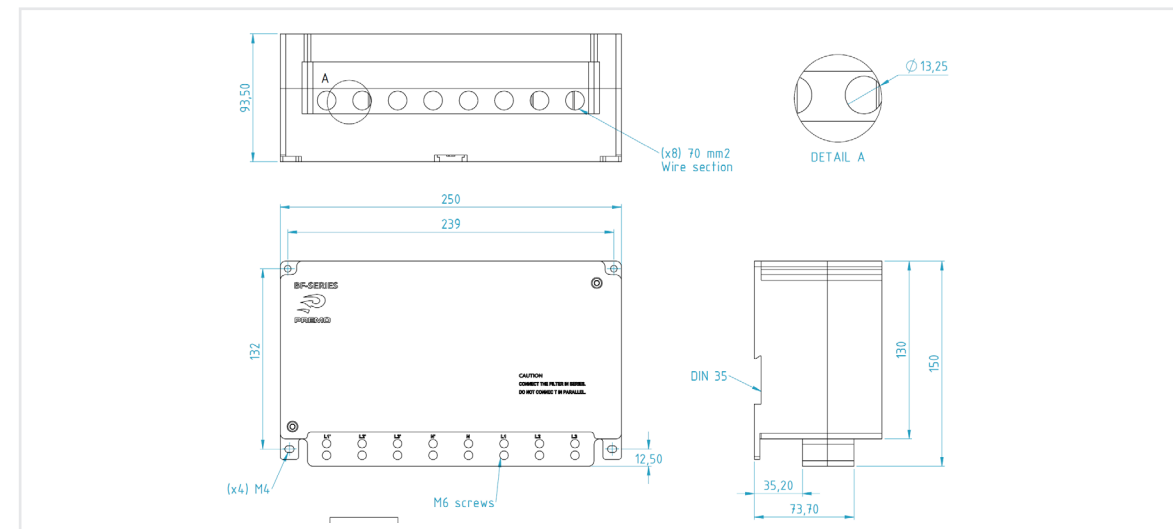
### FEATURES

- › Specially designed for Smart meters which comply with PLC G3 , PRIME & CENELEC Band A technology.
- › Designed to meet according to EN 50065-1 regulations.
- › Safe terminal with double screws connection.
- › Good attenuation level without GROUND/PE system.
- › Do not support the reconnection mechanism at the smart meter.

## 01 ELECTRICAL DIAGRAM



## 02 DIMENSIONS



## 03 INSERTION LOSS

