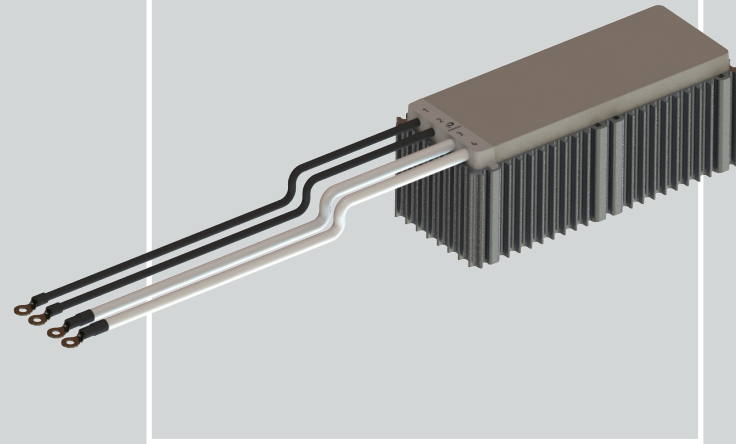


New

BCBM-12.5KW-001

2kW 2:1 3400 μ H

INDUCTIVE COMPONENTS / OFFBOARD CHARGER TRANSFORMERS



APPLICATIONS

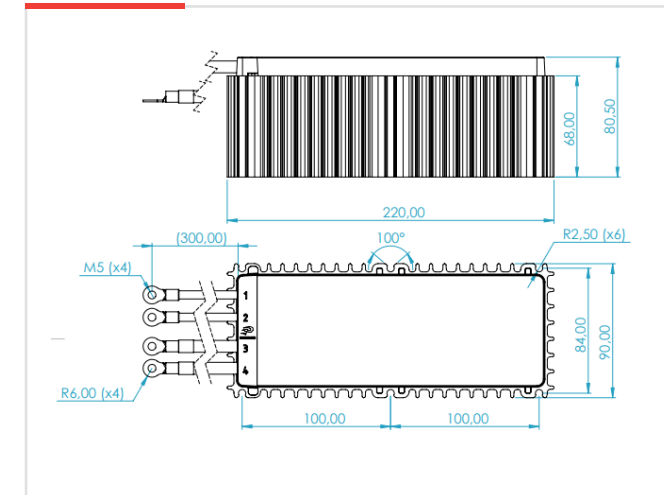
- › 12kW 2:1 CLLC Bidirectional Transformer Natural Cooling

01 FEATURES

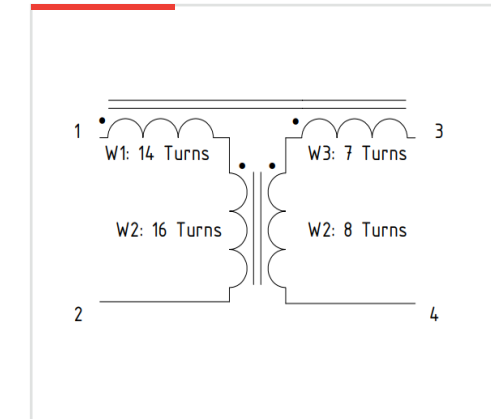
- › A total 12.5 kW part enclosed in a whole aluminum housing.
- › Operating temperature -40 to 150°C
- › Primary Current 40Arms
- › Secondary Current 80Arms
- › Approx weight: 4710g

02 SPECIFICATIONS

DIMENSIONS (mm)



ELECTRICAL DIAGRAM



ELECTRICAL SPECIFICATIONS

TURN RATIO	2:1
PRIMARY INDUCTANCE	
(1V / 100kHz)(1-2, 3-4 open)	3400 μ H min.
SECONDARY INDUCTANCE	
(1V / 100kHz) (3-4, 1-2 open)	850 μ H min.
LEAKAGE INDUCTANCE	
(1V / 100kHz) 1-2, 3-4 shorted	119 μ H \pm 5%
3- 4, 1-2 open	29.8 μ H \pm 5%
DC RESISTANCE	
1-2	20m Ω typ.
3-4	6m Ω typ.
DIELECTRIC STRENGTH	
Primary to secondary winding	1500 Vac 50/60Hz (0.5mA; 1min)