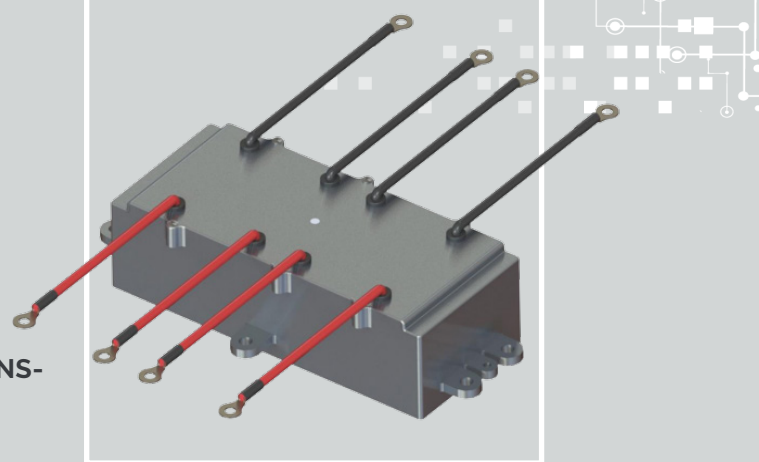


New

BCBM-22KW-002

145-250 KHz 6 + 16 : 12 20μH

INDUCTIVE COMPONENTS / ON BOARD CHARGERS TRANSFORMERS



APPLICATIONS

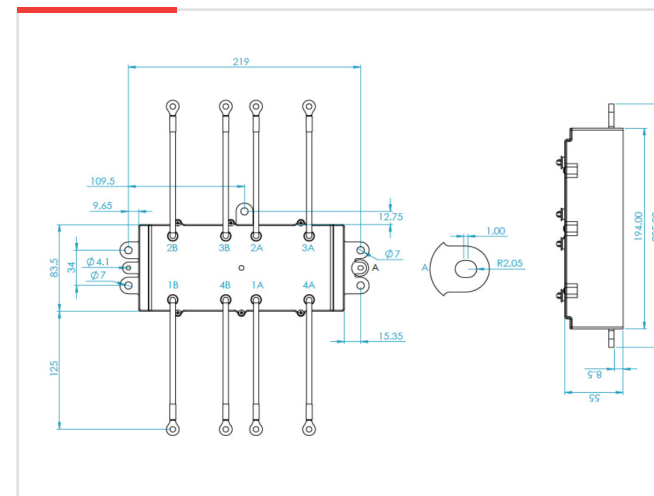
> Double 11.6kW LLC set with transformer and resonance inductor

01 FEATURES

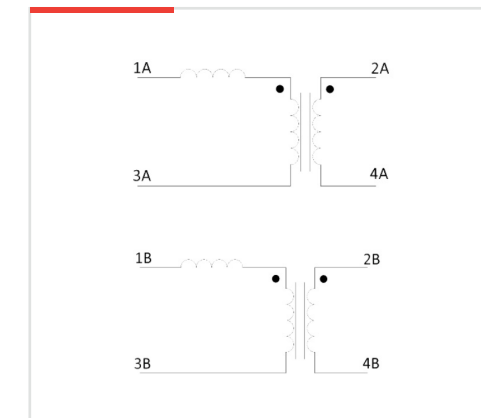
- > A total 23.2kW part enclosed in a whole aluminum housing and filled with thermal compound.
- > Recommended coolant temp: 65°C or less
- > Approx weight: 1600g
- > Resonant inductance 20μH
- > Input <1255V / <16.8Arms
- > Output 850-400V / <12.5Arms
- > Switching frequency: 145-250KHz
- > Extended frequency 250-500KHz
- > Duty: 50%

02 SPECIFICATIONS

DIMENSIONS (mm)



ELECTRICAL DIAGRAM



ELECTRICAL SPECIFICATIONS

INDUCTANCE		DIELECTRIC STRENGTH (1)	
Leakage Inductance	20μH ±10% (2)	Primary + Choke to Secondary	5mA, 2500, Vac 50/60Hz
TURN-RATIO		Primary + Choke to Box	5mA, 2500, Vac 50/60Hz
Turns Ratio	6 + 16 : 12	Secondary to Box	5mA, 2500, Vac 50/60Hz
DC RESISTANCE @25°C		Isolation (Prim - Sec)	2.5kV
(1A - 3A) (1B - 3B)	55 mΩ MAX (3)	Isolation (Prim - Box)	2.5kV
(2A - 4A) (2B - 4B)	30 mΩ MAX (3)	Isolation (Box - Sec)	2.5kV