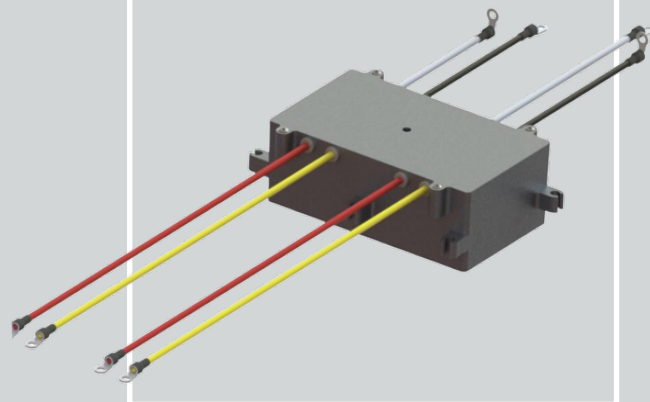


New

BCBM-11KW-001

145-200KHz 4+16:16 66.2μH

INDUCTIVE COMPONENTS / ON BOARD CHARGER TRANSFORMERS



APPLICATIONS

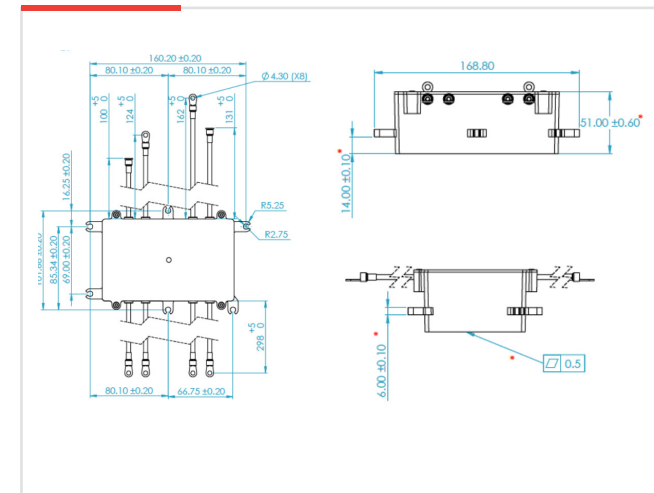
> Double 5.5kW LLC set with transformer and resonance inductor

01 FEATURES

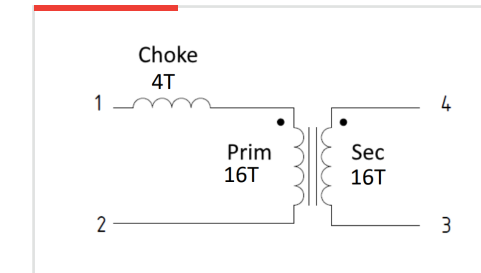
- > A total 11kW part enclosed in a whole aluminum housing and filled with thermal compound
- > Recommended coolant temp: 65°C or less
- > Approx weight: 1600g
- > Input: 850-400V / <16.3Arms
- > Output: 850-400V / <12.5Arms
- > Switching Frequency: 145-200KHz
- > Duty: 47%
- > AMBIENT TEMPERATURE - 40 to 85 °C

02 SPECIFICATIONS

DIMENSIONS (mm)



ELECTRICAL DIAGRAM



ELECTRICAL SPECIFICATIONS

INDUCTANCE		DIELECTRIC STRENGTH (1)	
PRIMARY INDUCTANCE	66.2 μH ± 8 %	PRIMARY/CHOKE TO BOX	2500 Vac (50/60Hz; 3 mA; 2 sec)
Leakage Inductance	12.4μH	PRIMARY/CHOKE TO SECONDARY	2500 Vac (50/60Hz; 3 mA; 2 sec)
TURN-RATIO		SECONDARY TO BOX	2500 Vac (50/60Hz; 3 mA; 2 sec)
1-2 : 3-4	4+16:16	Isolation (Prim - Sec)	2.5kV
DC RESISTANCE at 25°C		Isolation (Prim - Box)	2.5kV
(1-2)	43 mOhms Max	Isolation (Box - Sec)	2.5kV
(3-4)	37 mOhms Max		