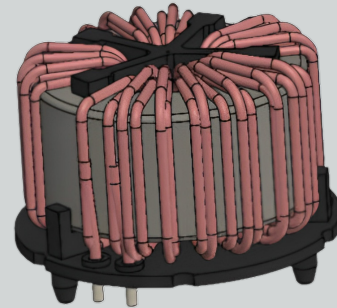


New

## 4CMCN065R0-16H

4PH CMC 11kW 1000μH 140kHz/0.165A 16-32A

INDUCTIVE COMPONENTS / COMMON MODE CHOKES



### APPLICATIONS

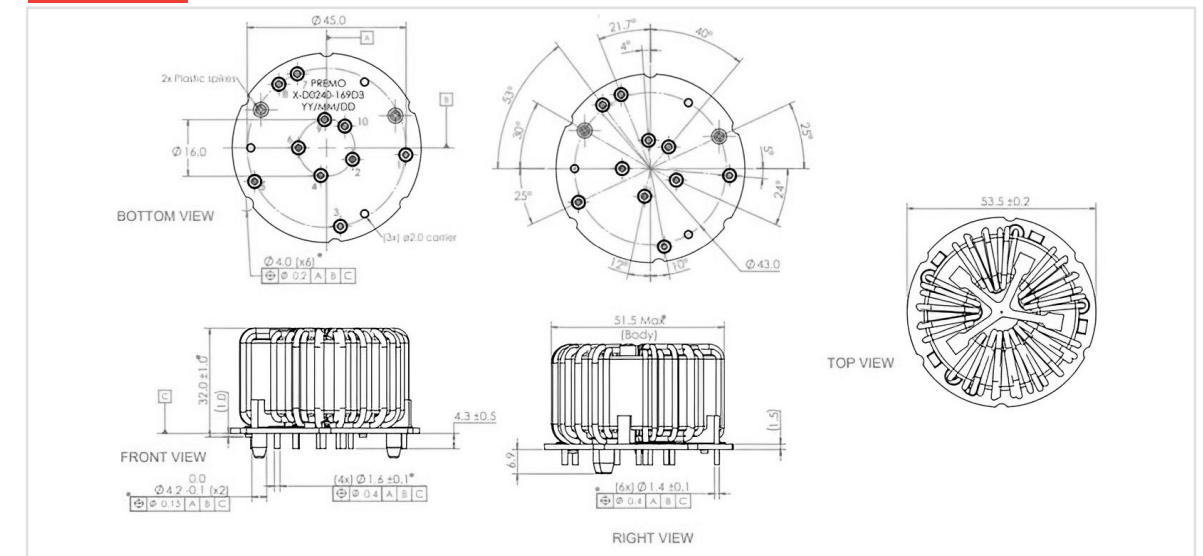
- > Automotive EV/PHV AC/DC onboard battery chargers
- > Automotive HV/LV DC/DC converters

### 01 FEATURES

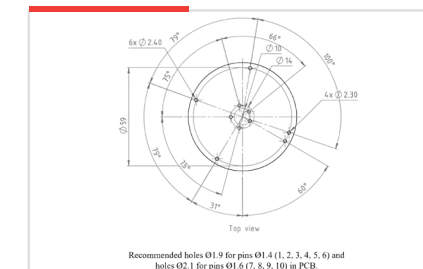
- > Topology: 4 Phase Common Mode Choke
- > UNB Current: 165mA
- > Max Voltage: 440 Vpk
- > Ambient Temperature: -40°C to +85°C
- > Component temperature range -40°C to +130°C
- > Estimated Losses (100°C)
- > Copper losses (3x16A in line, 48A in neutral) 10 W
- > Weight: Approx. 180 grams

### 02 SPECIFICATIONS

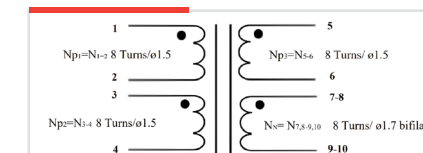
#### DIMENSIONS (mm)



#### RECOMMENDED PAD-LAYOUT



#### ELECTRICAL DIAGRAM



#### ELECTRICAL SPECIFICATIONS

##### INDUCTANCE at 25°C

L1 - 2 = L3 - 4 = L5 - 6 = L7,8 - 9,10 (140 kHz / 1 Vac/0.165A) 1000 μH MIN

##### TURN-RATIO

N1 - 2: N3 - 4: N5 - 6: N7,8 - 9,10 8:8:8:8

##### DC RESISTANCE at 25°C

DCR1 - 2 = DCR3 - 4 = DCR5 - 6 5.76 mΩ TYP (6.6mΩ MAX)

##### LEAKAGE INDUCTANCE

Llk1-2 (140kHz/ 1Vac; 3-4, 5-6, 7,8 - 9,10 shorted) 2.5 μH TYP (3.5μH)

##### DIELECTRIC STRENGHT

Between Windings 2500 Vac (50/60 Hz; 3 mA; 2 sec)