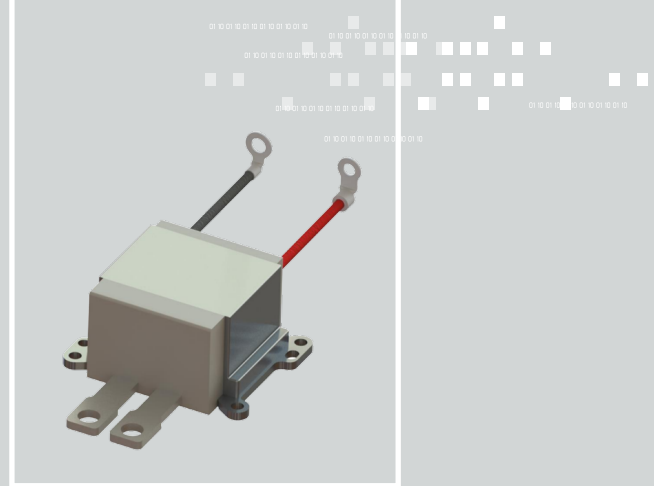


New

BCBM-1.8KW-001

100KHz 20:1 25μH

INDUCTIVE COMPONENTS / COOLED MAGNETICS



APPLICATIONS

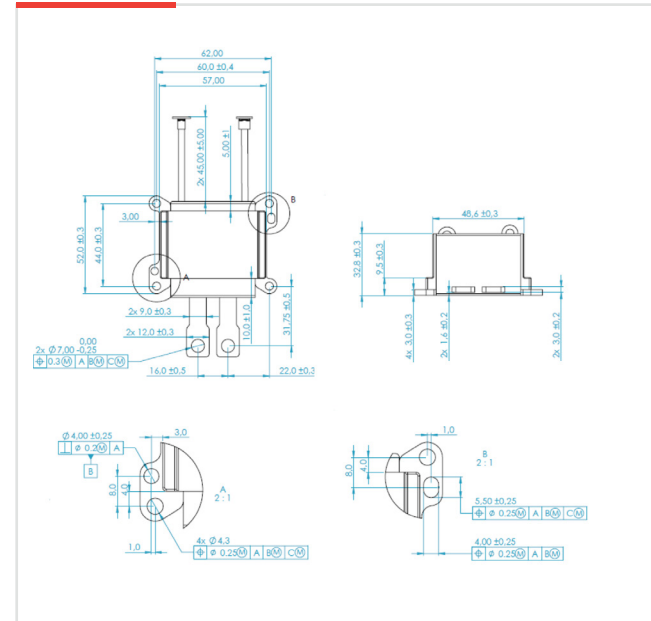
- › 1.8kW transformer for Dual Active Bridge DC-DC converter

01 FEATURES

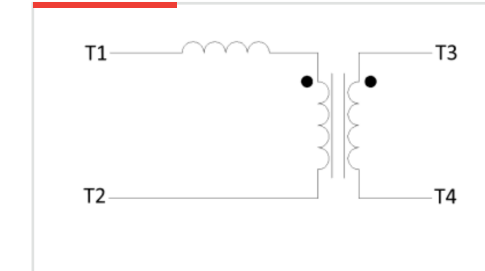
- › Aluminum enclosure and covered with high thermal conductivity compound.
- › Integrated leakage.
- › High voltage to Low voltage.
- › Approx weight: 255g
- › Topology Dual active bridge Trafo
- › Total Output Power 1,8 kW
- › Input Voltage 240-410 Vdc
- › Output Voltage 8-16 Vdc
- › Switching Frequency: 100kHz
- › Max Duty Cycle 48.5%
- › Operating Temperature: -30°C to +110°C

02 SPECIFICATIONS

DIMENSIONS (mm)



ELECTRICAL DIAGRAM



ELECTRICAL SPECIFICATIONS

INDUCTANCE		DIELECTRIC STRENGTH (1)	
PRIMARY INDUCTANCE	1mH min	1-2 TO 3-4 5mA	2000, Vac 50/60kHz
Leakage Inductance	25μH ±20%	1-2 TO BOX 5mA	1000, Vac 50/60kHz
TURN-RATIO		IMPULSE WINDING	
Prim (1-2) : Sec (3-5)	20:1	3-4 TO BOX 5mA	500, Vac 50/60kHz
DC RESISTANCE @25°C		PRIMARY (1-2)	2000 Vac (10 pulse, area <5%)
(1-2)	30 mΩ MAX		
(3-4)	0,35 mΩ MAX		