

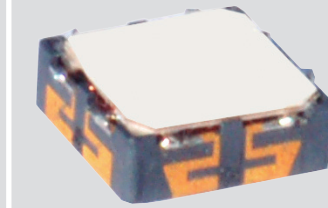
New

# 3DV06

## SMD 3D Coil

7x7x2.3mm

Rx EM MOTION TRACKING SENSORS



### FEATURES

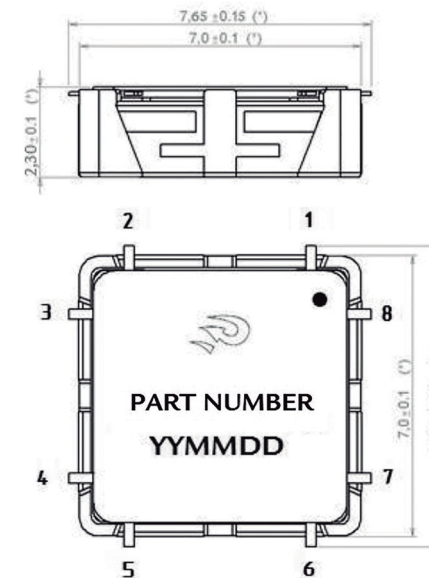
Electromagnetic motion tracking system Works by using one low frequency isotropic magnetic field generator and one or several isotropic 3D magnetic sensors. 3D coils have huge flexibility in terms of customization and setup to fulfill the application needs or environment changes. This is the smallest 3D coil in the market allowing to be used for very small volumes to be traced.

### 01 CHARACTERISTICS

- › Size 7x7x2.3 mm
- › SMD solution
- › Suitable for AOI
- › High stability in temperature (-40 °C to +85 °C)
- › Labelled to allow P&P operations
- › Same sensitivity in the three axis.

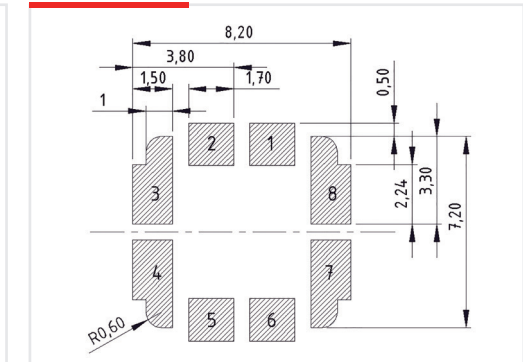
### 02 DIMENSIONS

#### DIMENSIONS (mm)

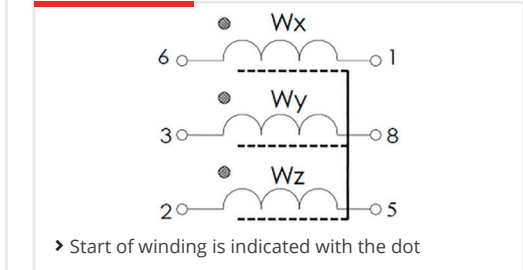


› Pins coplanarity 0.1 mm.

#### RECOMMENDED PAD-LAYOUT



#### ELECTRICAL DIAGRAM



#### ELECTRICAL SPECIFICATIONS

Code	Lx,y,z nom (mH)	Qx,y,z nom	f (kHz)	SRFx,y (kHz) Min	SRFz (kHz) Min	DCRx (Ohm) Max	DCRy (Ohm) Max	DCRz (Ohm) Max	Sensit. x,y,z (mV/A/m) Min (*)
3DV06-A-S0100J	1.0 / 1.0 / 5.8	3.4/3/3	20	1000	1000	40	44	260	2.7
3DV06-A-S0340J	3.40 / 3.40 / 10.2	3.5/3/4.0	20	500	750	130	145	375	5

(\*) Ask for sensitivity test set up and recommendations