

New

3DP-7kWHVHV-001

Full Bridge LLC Transformer + Resonant Choke

INDUCTIVE COMPONENTS / 3D POWER



ABSTRACT

Premo 3DPower is a revolutionary concept in power magnetics integration. Existing magnetics within conventional HEV On-Board Chargers and DCDC converters are merged into one single and compact product. Maximum power density is achieved by reducing the size and increasing the power dissipation with the latest high thermal conductive materials.

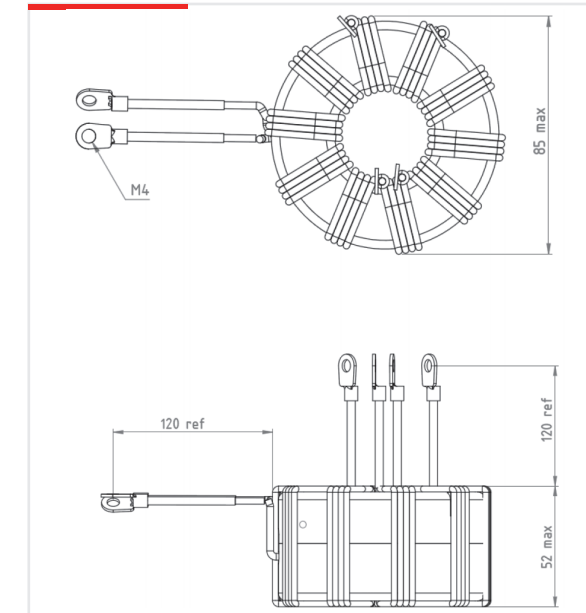
Designs can be fully customized to meet any customer requirement.

ELECTRICAL SPECIFICATIONS

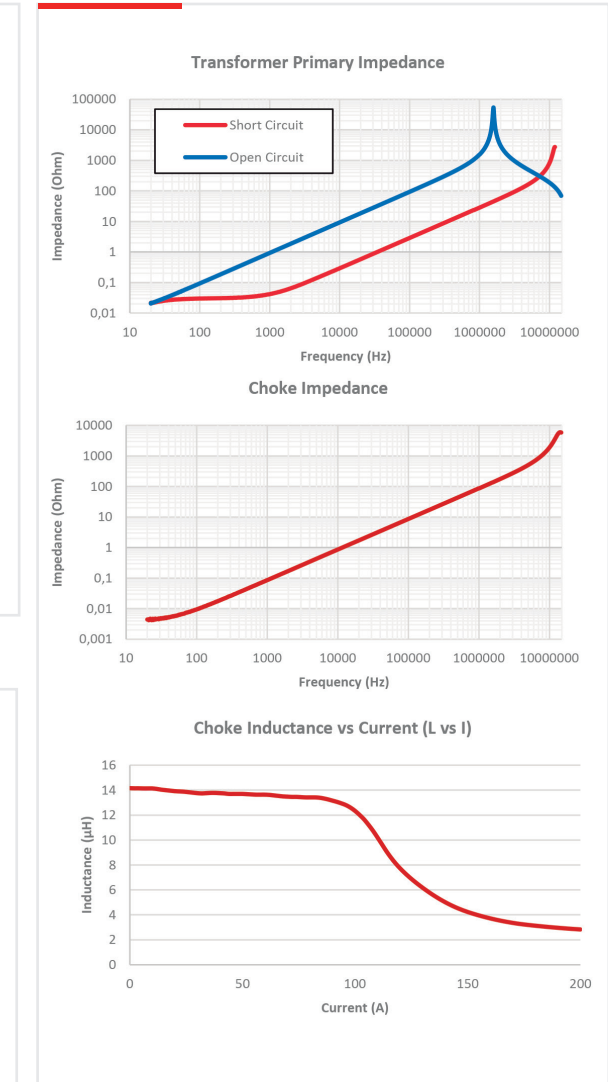
TOPOLOGY	Full Bridge LLC Resonant Converter Transformer + Resonant Choke
INPUT	
Primary Voltage	280 Vdc to 460 Vdc
OUTPUT	
Secondary	280 Vdc to 450 Vdc/ 24 Arms max
CURRENT RES. INDUCTOR	24 Arms (36Apk)
SWITCHING FREQUENCY	80 kHz to 300 kHz
DUTY CYCLE	50%
TOTAL OUTPUT POWER	7 kW
COUPLING	
N choke/N prim	0.057
N choke/N any sec	0.046

02 SPECIFICATIONS

DIMENSIONS



TYPICAL PERFORMANCE



ELECTRICAL DIAGRAM

