

TP0702CAP

SMD CAP Hard Ferrite Transponder Inductor

8.7x2.7x3mm (2.38mH - 9mH)

SINGLE AXIS TRANSPONDERS INDUCTORS



FEATURES

This TP0702 with CAP is a very strong solution in very small dimensions. The component has very good electrical properties and it is a very good solution for RTPMS, Keyless Go and Keyless Entry Systems. On the other hand, the plastic box, where it is inserted the piece, offers a special protection to the wound and facilitates the pick and place.

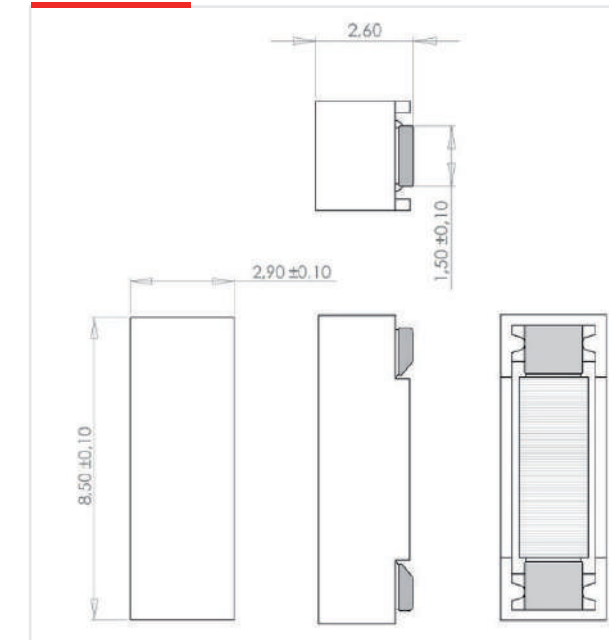


01 CHARACTERISTICS

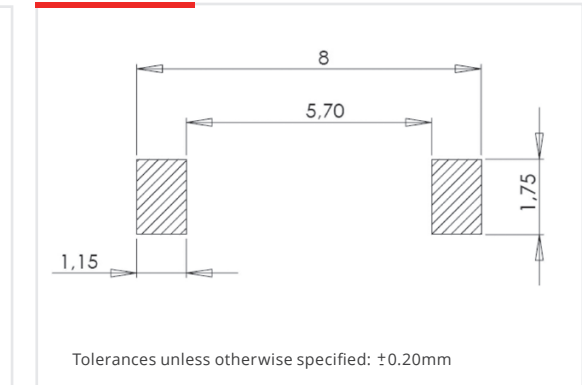
- › Size: 8.7x2.7x 3mm.
- › Very good mechanical performance.
- › High sensitivity in the smallest volume
- › Very stable electrical properties in full operational temperature range (-40 °C --> +125 °C).
- › Good performance in thermal shock.
- › Good cost/performance ratio.
- › This component is functional also to 20kHz and 134kHz.

02 SPECIFICATIONS

DIMENSIONS (mm)



RECOMMENDED PAD-LAYOUT



ELECTRICAL SPECIFICATIONS | 125kHz

P/N	L (mH) @125 kHz	Tolerance	Cres (pF)	Q @125 kHz	SRF(kHz)	Sensitivity (mVpp/App/m) @125 kHz
TP0702CAP-0238J	2.38	±5%	680	>20	>750	>25
TP0702CAP-0491J	4.91	±5%	330	>22	>500	>50
TP0702CAP-0720J	7.20	±5%	220	>18	>450	>47
TP0702CAP-0900J	9.00	±5%	180	>18	>400	>47

The specification chart is a reference guide for the most common required values at working frequencies of 125 kHz. Any other inductance value at LF or tighter tolerances can be provided. Please contact our sales department for any inquiry.