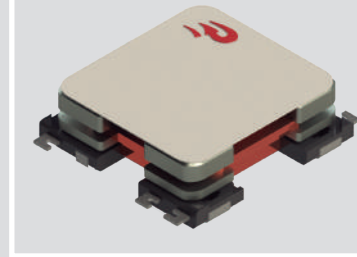


3DC09LP

SMD 3D Coil

9.5x9.5x3.1mm

3-AXIS TRANSPONDER INDUCTOR (3DCOILS™)



APPLICATIONS

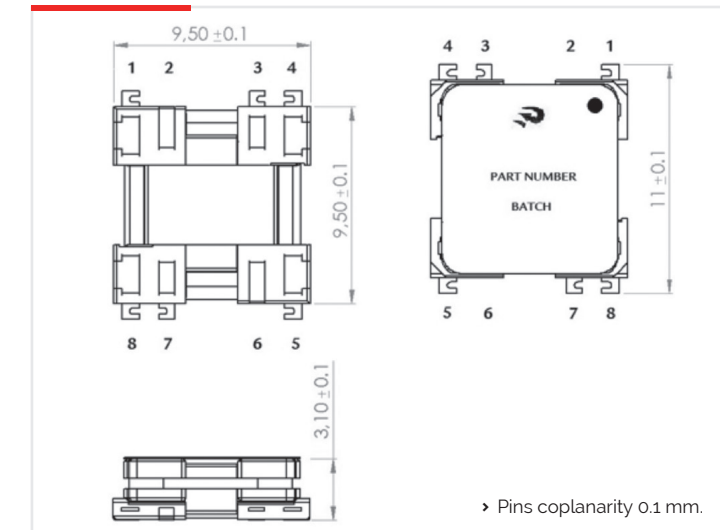
- › Automotive Passive keyless entry systems.
- › Automotive RTPMS with wake up functions.
- › Industrial logistics and control.
- › Access control.
- › Tracking devices.

01 CHARACTERISTICS

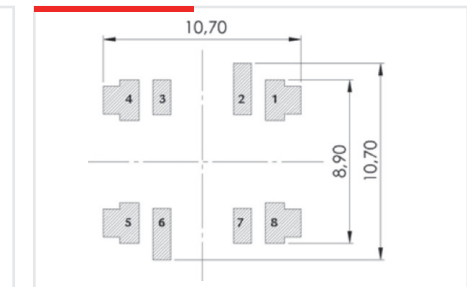
- › 3 coils in one component, oriented in the 3 space axes with full functionality.
- › Allows Automatic Optical Inspection.
- › Improved sensitivity for X and Y axes. Q factor improved for Z axis.
- › Suitable for automotive Key Less Entry applications with miniaturized designs.
- › The inductivity in each axis can be customized to achieve customer requirements.

02 SPECIFICATIONS

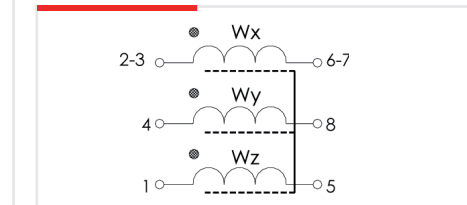
DIMENSIONS (mm)



RECOMMENDED PAD-LAYOUT



ELECTRICAL DIAGRAM



ELECTRICAL SPECIFICATIONS | 3DC09LP-0720J

L x,y (mH)	7.2
Qx Min	19
Qy Min	19
Qz Min	21
f (kHz)	125
SRFx,y (kHz) Min	300
SRFz (kHz) Min	900
DCRx,y (Ω) Max	220
Sensitivity x,y (mVpp/App/m) Min	75
Sensitivity z (mVpp/App/m) Min	40
Length (mm)	9.5
Width (mm)	9.5
Height (mm)	3.1

This chart is a reference guide for the most common required values at working frequency of 125 kHz. Any other inductance value at LF or tighter tolerances can be provided. Also can be supplied different inductance values in the different winding axis. Please contact our sales department for any inquiry.
Sensitivity measured with Helmholtz coils H=8.36 App/m @125 kHz. Contact us for measurement specification.
SRF: Self Resonant Frequency of the coil.